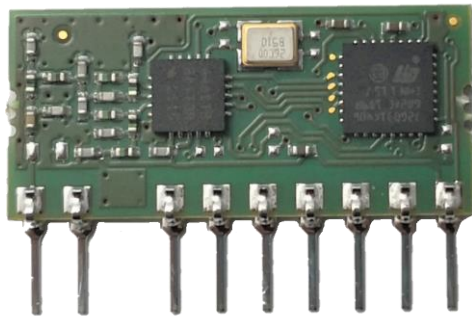


Wireless Transparent Modules Datasheet

32001534

DUAL MODE 434 MHz TRANSCEIVER

Datasheet



Overview

Dual-mode transceiver operating in the 434 MHz SRD band with extremely compact dimensions. The module operates as an independent device that can be controlled through external control lines.

Contents

1.	Product Features.....	3
2.	Mechanical Dimensions.....	4
3.	Pin Definition.....	4
4.	Electrical characteristics.....	5
4.1	Absolute Maximum Ratings.....	5
4.2	Operating Condition.....	5
5.	I/O Pins Status and Control in standart mode.....	9
5.1	Control in UART mode.....	9
5.2	Control in GPIO mode.....	10
6.	I/O Pins Status and Control in extended mode.....	11
7.	Temepature Range Curves.....	12
7.1	Receiver.....	12
7.2	Transmitter.....	13
8.	Application Notes.....	114
9.	Regulatory Approvals.....	114
10.	Revision History.....	114

I. Product Features

Mechanical highlights:

- ✓ Compact dimensions

RF performances:

- ✓ -105 dBm Sensitivity in FSK
- ✓ -106 dBm Sensitivity in OOK
- ✓ +10 dBm Output power
- ✓ Category 1.5 Receiver

Low power characteristics:

- ✓ Sleep current consumption 50 nA

Additional features:

- ✓ Configurable RF parameters

Two operating modes available on the device:

Normal mode: The TRX module operates as a dual channel (433.42 - 434.42 MHz) OOK transceiver. Through the external pins, the user can control the operation mode (Tx, Rx, Sleep Mode) and the channel frequency.

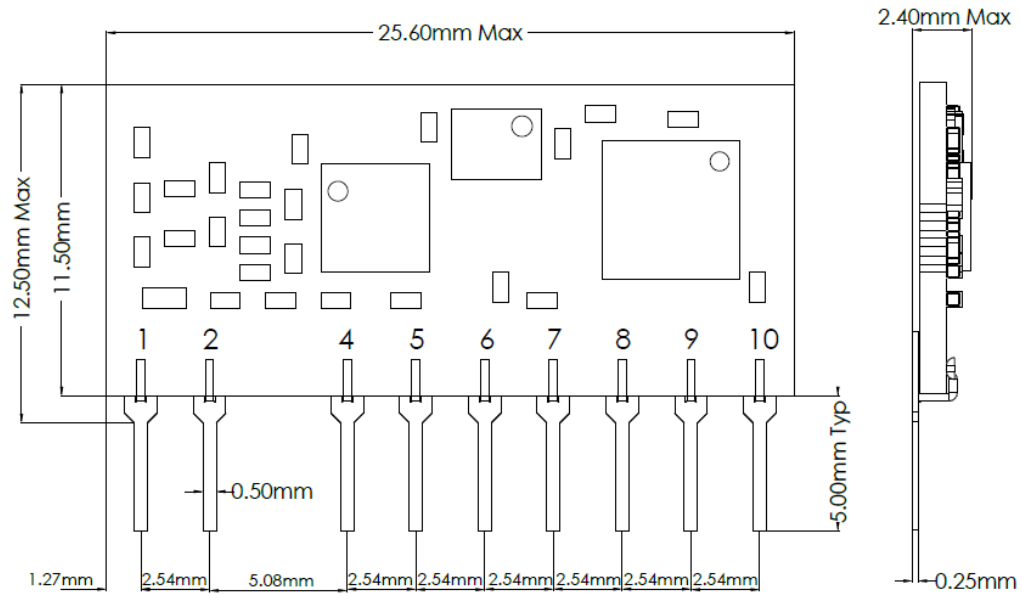
Extended Mode: Through a predefined sequence of serial commands sent on the module, the user can customize it. Configurable parameters are the output power, the channel frequency, 2-FSK mode, an advanced low-power mode and data rate up to 38400 bit/s.

Standard supply voltage range from 2.1 to 3.6 V. The module meets all the requirements in the industrial temperature range -40 / +85 °C.

CATEGORY 1.5 RECEIVER developed according to ETSI EN 300 220 European Standard. The module meets the Radio Equipment Directive (RED) 2914/53/EU.

Compliant with REACH and RoHS directives.

2. Mechanical Dimensions



3. Pin Definition

Pin	Name	Type
1	RF I/O	RF
2	GND	S
4	DATA OUT	O
5	EN	I
6	TX/RX	I/O
7	GND	S
8	CHSEL	I
9	DATA IN	I
10	VDD	S

LEGEND: S = Power supply, O = Output, I = Input, RF = Antenna port , NC = Do Not Connect

4. Electrical Characteristics

4.1 Absolute Maximum Ratings

Parameter	Max.	Unit
Supply Voltage (VDD)	+3.9	V
Max voltage on pins 4, 5, 6, 8, 9	VDD + 0.3	V
Storage Temperature	-40 to +100	°C
Operating Temperature	-40 to +85	°C
Radio Frequency Input, pin 2	+10	dBm

4.2 Operating Condition

Note: All RF parameters measured with input (pin 1) connected to a 50 Ω impedance signal source or load.

GENERAL ELECTRICAL CHARACTERISTICS @ 25 °C

Parameter	Min.	Typ.	Max.	Unit	Notes
Supply Voltage (VDD)	2.1	3.0	3.6	V	
Current consumption in Tx	-	20	25	mA	1
Current consumption in Rx	-	15	17	mA	2
Current consumption in Sleep Mode	-	3	-	μ A	10
Operating Band	433.050	-	434.790	MHz	
Operating frequency Channel 1	-	433.42	-	MHz	5
Operating frequency Channel 2	-	434.42	-	MHz	5
Operating Channel Width	-	200	-	kHz	
2-FSK deviation	-	\pm 25	-	kHz	6
Data Rate	1200	-	4800	bit/s	6
V _{low} on I/O pins	0	-	0.3xVDD	V	
V _{high} on I/O pins	0.7xVDD	-	VDD	V	
Output load on pin 4	2	-	-	k Ω	

RECEIVER ELECTRICAL CHARACTERISTICS @ 25 °C

Parameter	Min.	Typ.	Max.	Unit	Notes
Sensitivity in OOK	-	-106	-	dBm	3
Sensitivity in FSK	-	-105	-	dBm	4
-3 dB RF Bandwidth in OOK	-	200	-	kHz	3
-3 dB RF Bandwidth in 2-FSK	-	45	-	kHz	4
Blocking	-	-	-17	dBm	7
Unwanted spurious emission	-	-	-51	dBm	8
Out-of-band emissions	-	-	-50	dBm	9

TRANSMITTER ELECTRICAL CHARACTERISTICS @ 25 °C

Parameter	Min.	Typ.	Max.	Unit	Notes
Output Power	-	10	-	dBm	6
OOK Occupied Bandwidth	-	40	50	kHz	
2-FSK Occupied Bandwidth	-	60	75	kHz	
Unwanted spurious emission	-	-	-42	dBm	7
Out-of-band emissions	-	-	-50	dBm	9
Frequency accuracy	-	±10	-	kHz	

OOK TIMINGS @ 25 °C @ VDD = 3.0 V

Parameter	Min.	Typ.	Max.	Unit	Notes
Time between power on and valid data reception	-	40	-	ms	
Time between power on and valid data transmission	-	40	-	ms	
Time by Sleep Mode to RX	-	1.5	-	ms	
Time by Sleep Mode to TX	-	1.5	-	ms	
Time by TX to RX	-	800	-	µs	
Time by RX to TX	-	800	-	µs	
Time by CH1 to CH2 in RX	-	1	-	ms	
Time by CH2 to CH1 in RX	-	1	-	ms	
Time by CH1 to CH2 in TX	-	1	-	ms	
Time by CH2 to CH1 in TX	-	1	-	ms	

2-FSK TIMINGS @ 25 °C @ VDD = 3.0 V

Parameter	Min.	Typ.	Max.	Unit	Notes
Time between power on and valid data reception	-	40	-	ms	
Time between power on and valid data transmission	-	40	-	ms	
Time by Sleep Mode to RX	-	1.5	-	ms	
Time by Sleep Mode to TX	-	1.5	-	ms	
Time by TX to RX	-	800	-	µs	
Time by RX to TX	-	800	-	µs	
Time by CH1 to CH2 in RX	-	1	-	ms	
Time by CH2 to CH1 in RX	-	1	-	ms	
Time by CH1 to CH2 in TX	-	1	-	ms	
Time by CH2 to CH1 in TX	-	1	-	ms	

4.2.1 Notes:

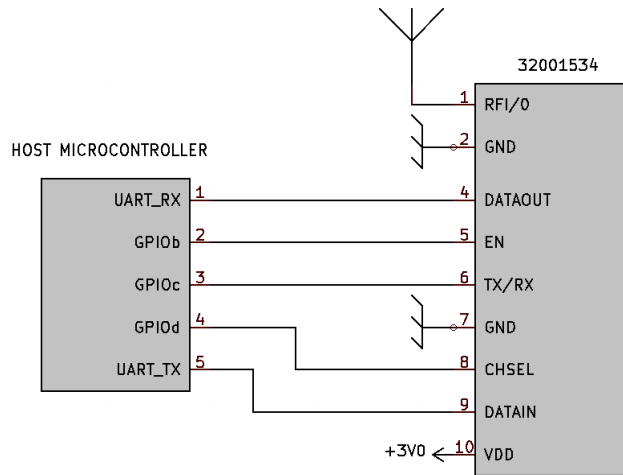
- Note 1:** TX Current consumption measured with CW carrier @ 10dBm.
- Note 2:** RX Current consumption measured with pseudo-random bit sequence code demodulated, 4800 bit/s, BER $\leq 10^{-3}$.
- Note 3:** Test signal A; pseudo-random bit sequence code NRZ (mod- depth 100%) 4800 bit/s.
Results @ BER $\leq 10^{-3}$.
- Note 4:** Test signal 2-FSK pseudo-random bit sequence code NRZ (dev. ± 25 kHz) 4800 bit/s.
Results @ BER $\leq 10^{-3}$.
- Note 5:** The frequency values described are the default ones. Each channel is configurable between the following frequencies: 433.20 MHz, 433.42 MHz, 433.92 MHz, 434.42 MHz, 434.64 MHz.
For further information consult the document [32001534_Command_Reference.pdf](#).
- Note 6:** Programmable parameters in Extended Mode.
For further information see the document [32001534_Command_Reference.pdf](#).
- Note 7:** Measured as per ETSI 300 220-1, 5.18 “Blocking”.
- Note 8:** Measured as per ETSI 300 220-1, “Unwanted emissions in the spurious domain”, 5.9.1.1 “Unwanted emissions for TX mode” and 5.9.1.2 “Unwanted emissions for all other modes”.
- Note 9:** Measured as per ETSI 300 220-1, 5.8 “Tx Out of Band Emissions”.
- Note 10:** Current consumption can be decreased up to 50 nA.
For further information see the document [32001534_Command_Reference.pdf](#).

5 I/O Pins Status and Control in Standard Mode

The default mode behaves as a transparent device with respect to the data stream.

5.1 Control in UART Mode

DATA IN and DATA OUT pins of the transceiver are connected to the UART communication peripheral of the microcontroller.

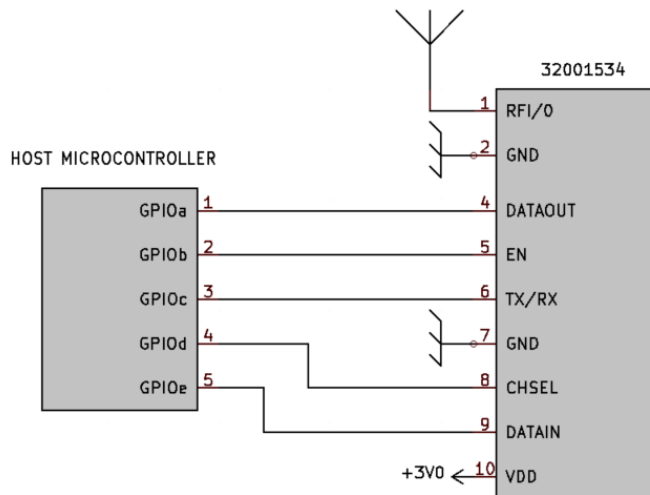


In this mode the control pins on the microcontroller side must be configured as follow:

Pin	Pin name	Configuration	Control
1	UART_RX	UART data RX	RX data stream to the host microcontroller.
2	GPIOb	DIGITAL OUTPUT	Enable pin. Allow to activate or set in Sleep Mode the module, according to the following logic: 0: power down (module in Sleep Mode) 1: enable (module operative)
3	GPIOc	DIGITAL OUTPUT	Operating mode selection pin. 0: module in reception (RX mode) 1: module in transmission (TX mode)
4	GPIOd	DIGITAL OUTPUT	Channel selection pin. 0: module operating on channel 1 (433.42 MHz) 1: module operating on channel 2 (434.42 MHz)
5	UART_TX	UART data TX	TX data stream to the radio module

5.2 Control in GPIO Mode

DATA IN and DATA OUT pins of the module are sampled with the host microcontroller general purpose input-output peripheral.



In this mode, control pins on microcontroller side, must be configured as follow:

Pin	Pin name	Configuration	Control
1	GPIOa	DIGITAL INPUT	RX data stream to the host microcontroller.
2	GPIOb	DIGITAL OUTPUT	Enable pin. Allow to activate or set in power down the module, according to the following logic: 0: power down (module in Sleep Mode) 1: enable (module operative)
3	GPIOc	DIGITAL OUTPUT	Operating mode selection pin. 0: module in reception (RX mode) 1: module in transmission (TX mode)
4	GPIOd	DIGITAL OUTPUT	Channel selection pin. 0: module operating on channel 1 (433.42 MHz) 1: module operating on channel 2 (434.42 MHz)
5	GPIOe	DIGITAL OUTPUT	Host microcontroller sends data in transmission mode.

6 I/O Pins Status and Control in Extended Mode

In Extended Mode, user can enter various configuration and then customize the module. The following radio parameters can be changed:

Power level:

- +10 dBm (Default)
- +7 dBm
- +4 dBm
- +1 dBm
- -2 dBm
- -5 dBm

Modulation:

- OOK (Default)
- 2-FSK

Shutdown mode:

- 50 nA of current consumption

Channel frequency:

- 433.42 MHz (Default for Channel 1)
- 433.92 MHz
- 434.42 MHz (Default for Channel 2)
- 433.20 MHz
- 434.64 MHz

Synchronizer:

- Sync disabled, normal mode, data transparent (Default)
- Sync disabled, "slow" mode
- Sync enabled, 1200 bit/s
- Sync enabled, 2400 bit/s
- Sync enabled, 4800 bit/s

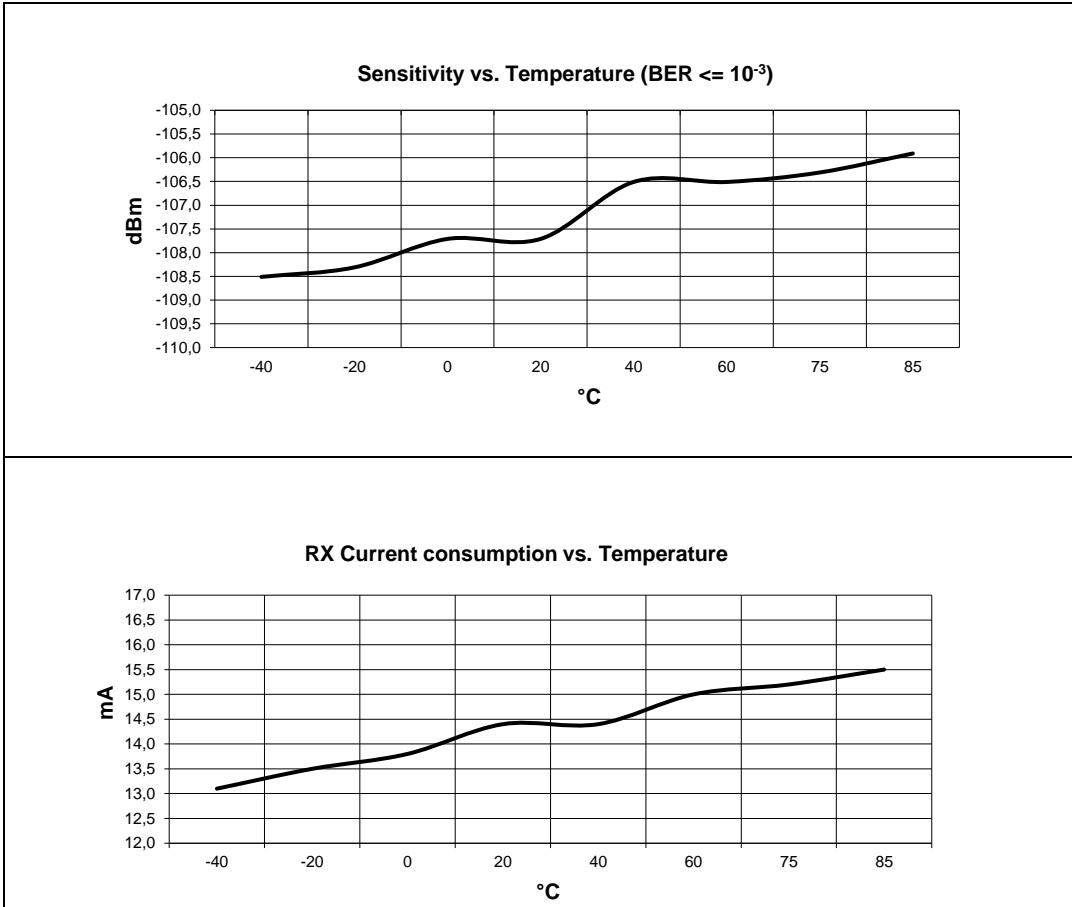
For the extended use, the control pins on microcontroller side must have, In addition to the standart configuration, the following capabilities:

Pin	Pin name	Configuration	Control
3	GPIOc	DIGITAL INPUT INTERNAL PULL UP	Extended Mode operation: Module is capable of returning a feedback in case of successful programming. For a detailed description how to implement it, see the application note <i>32001534_Command_Reference.pdf</i> .
4	GPIOd	UART TX DIGITAL INPUT DIGITAL OUTPUT	Extended Mode operation: Host microcontroller sends data frames to setup the transceiver. For a detailed description how to implement it, see the application note <i>32001534_Command_Reference.pdf</i> .

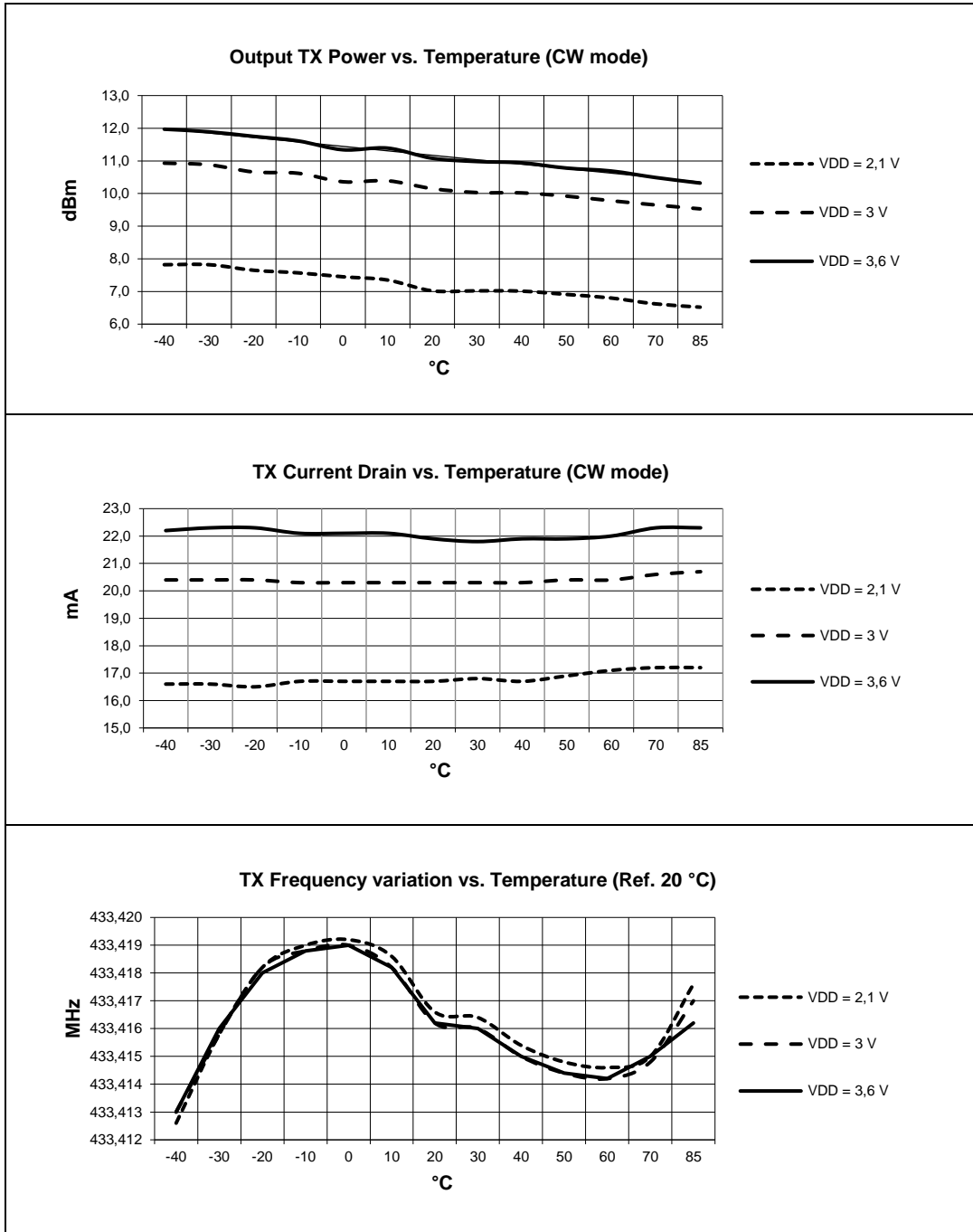
7 Temperature Range Curves

Note: All RF parameters measured with input (pin 1) connected to a 50 Ω impedance signal source or load.

7.1 Receiver:



7.2 Transmitter:



8 Application Notes

Title	Description	Doc
Command Reference Manual	Description of all commands	32001534_Command_Reference.pdf
PCB Layout Guidelines	Hints how to make for a good RF design	AN_RF_001.pdf

9 Regulatory Approvals

Doc	Title	Description
-	Declaration of Conformity	Declaration of the conformity with the essential requirements of the European Directive 2014/53/EU

10 Revision History

Revision	Date	Description
0.0	09.02.2022	Draft
0.2	09.03.2022	The following parameters have changed: - Current consumption in Sleep Mode - Time by Sleep Mode to RX (FSK) - Time by Sleep Mode to RX (OOK) - Time by Sleep Mode to TX (FSK) - Time by Sleep Mode to TX (OOK)